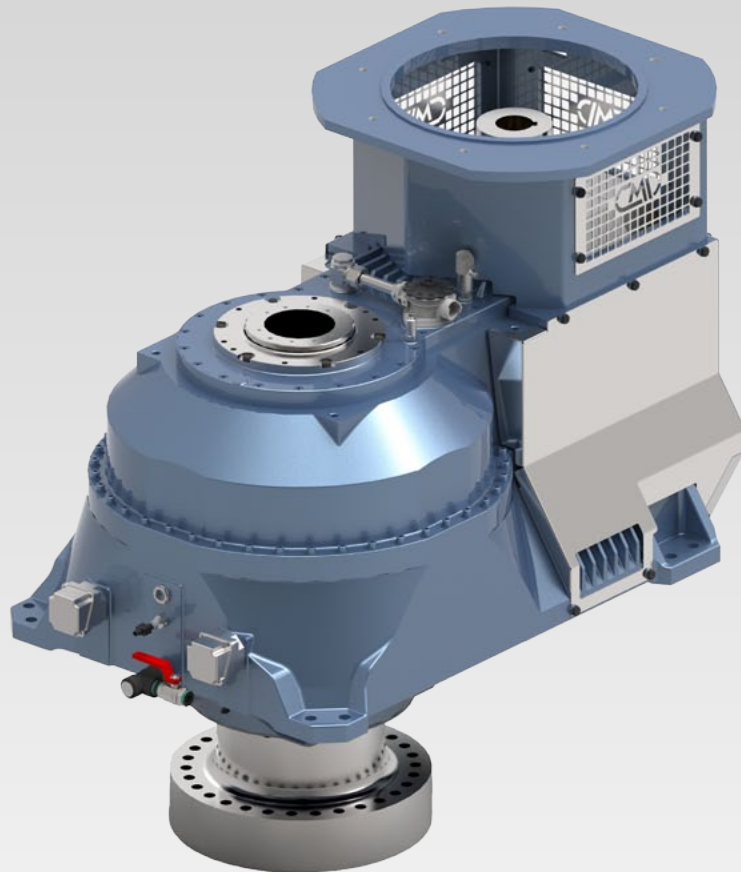




Gearboxes for Mixing, Agitation and Flotation Application

# ERflotation<sup>®</sup>



[www.cmdgears.com](http://www.cmdgears.com)



## Presentation

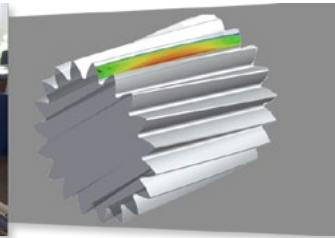
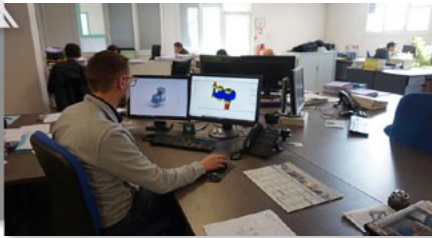
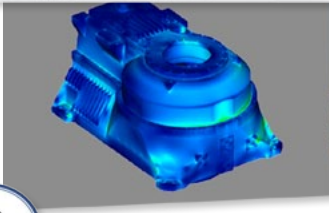
Our new range of ERflotation gearboxes are designed for optimal operation in **Flotation, Mixing and Agitation** process commonly used in Mining and Environmental industries.

- > Vertical direct drive reducers
- > 5 sizes available up to 520 kW
- > Output speed from 50 to 180 Rpm, reversible rotation

CMD customizes solutions to suit the specific technical specifications of each manufacturer.

1

### ENGINEERING



2

### MANUFACTURING



3

### ASSEMBLY



4

### SERVICE



## Advantages

- > High stiffness and load carrying capacities on the low speed shaft
- > Specific housing designed able to withstand impeller dynamic loads
- > Hollow low speed shaft and rigid output coupling allowing gas injection through the shaft easier
- > Integrated lubrication and filtration unit
- > Integrated forced air cooling
- > Drywell design and reinforced sealing arrangement
- > Premium energy efficiency
- > Gear to shaft assembly by tapered press fit
- > Stock and short lead times

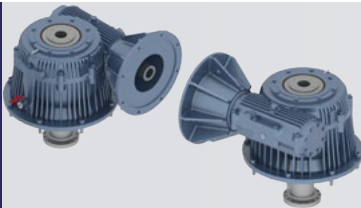
# Product range

## Standard accessories

- Air breather
- Oil level sight glass
- Oil filter\*

## Optional accessories

- Vibration sensor
- Temperature probes
- Oil heater
- Electronic switch level
- Automatic grease dispenser
- Oil flow switch\*
- Magnetic plug
- Cooling unit
- Custom Motor Bracket



<b>Power Range</b>	up to 75 kW
<b>Nominal Output Torque</b>	10 000 Nm
<b>Reduction Ratio**</b>	7,17 to 19,33
<b>Weight</b>	800 kg

## Size 28

## Size 36

<b>Power Range</b>	up to 130 kW
<b>Nominal Output Torque</b>	20 000 Nm
<b>Reduction Ratio**</b>	10 to 18
<b>Weight</b>	1 100 kg



<b>Power Range</b>	up to 200 kW
<b>Nominal Output Torque</b>	30 000 Nm
<b>Reduction Ratio**</b>	15 to 20
<b>Weight</b>	1 500 kg

## Size 38

## Size 40

<b>Power Range</b>	up to 315 kW
<b>Nominal Output Torque</b>	60 000 Nm
<b>Reduction Ratio**</b>	19 to 23
<b>Weight</b>	2 400 kg



<b>Power Range</b>	up to 520 kW
<b>Nominal Output Torque</b>	120 000 Nm
<b>Reduction Ratio**</b>	20 to 27
<b>Weight</b>	4 000 kg

## Size 42

\*Except size 28

\*\*Ratio given for information only. For any other requirement, please contact CMD for a detailed study.



For any QUERY or request for QUOTATION :  
**[contact@cmdgears.com](mailto:contact@cmdgears.com)**



You might also be interested in ...



## Thickeners-Clarifiers



## Autoclaves



## Granulators and Dryers



## Ball Mills Vertical mills



## Flexacier® Flexident®



French design & manufacture



HEAD OFFICE  
& CAMBRAI PLANT  
539, Avenue du Cateau  
59400 CAMBRAI  
FRANCE

SALES OFFICE  
36, Avenue de l'Europe  
Immeuble de l'Etendard BP43  
78142 VELIZY-VILLACOUBLAY  
FRANCE  
+33 (0)1 34 63 12 24

FOURCHAMBAULT PLANT  
33, rue du 4 septembre  
58600 FOURCHAMBAULT  
FRANCE

